

5 40 347 101 30

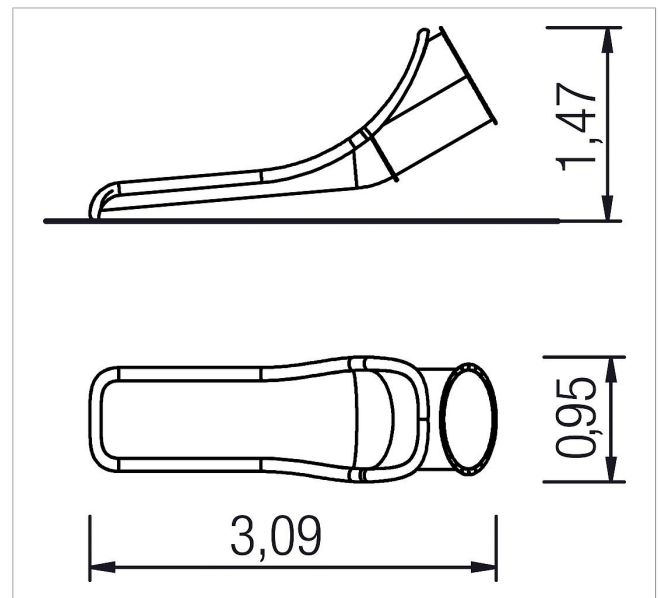
## Basis Crawling tunnel extended end element

made in germany



### Scope of delivery

1x Auslaufstück lang: Glasfaserverstärkter Kunststoff (GFK)  
Beschläge: stainless steel (V2A)



	Material	GFRP
	Minimum space	5,01x2,73x0,95 m
	Free falling height	-
	Impact protection net	12,0 m <sup>2</sup>