

5 40 309 101 30

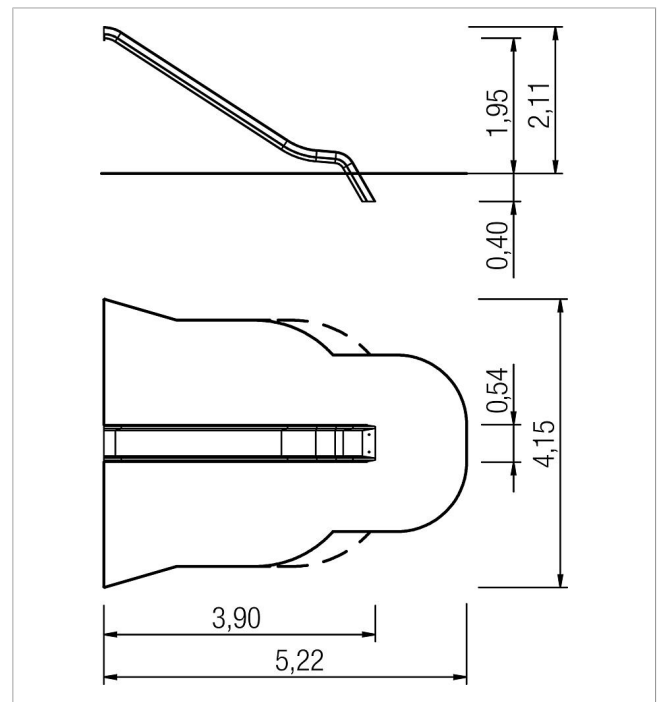
Basis Attachment slide PH 195 cm

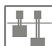


made in germany



Scope of delivery

1x slide: glass fibre reinforced plastic (GFRP)
fittings: stainless steel (V2A)



	Material	GFRP
	Foundation level	ET 400
	Minimum space	5,22x4,15x3,75 m
	Free falling height	195 cm
	Impact protection net	16,5 m ²
	Foundations	1x CF or 1x PFs
	Assembly	2 persons/0,25 h